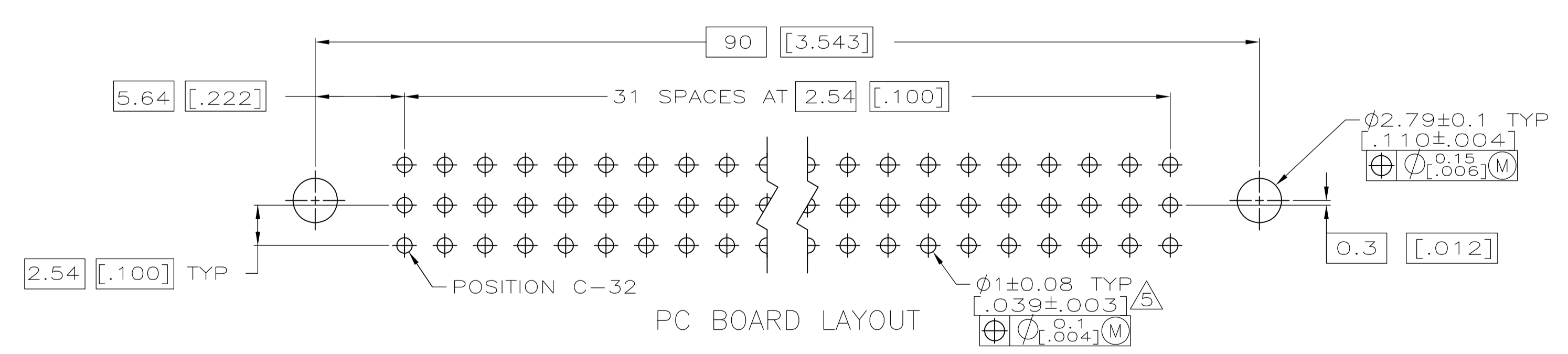
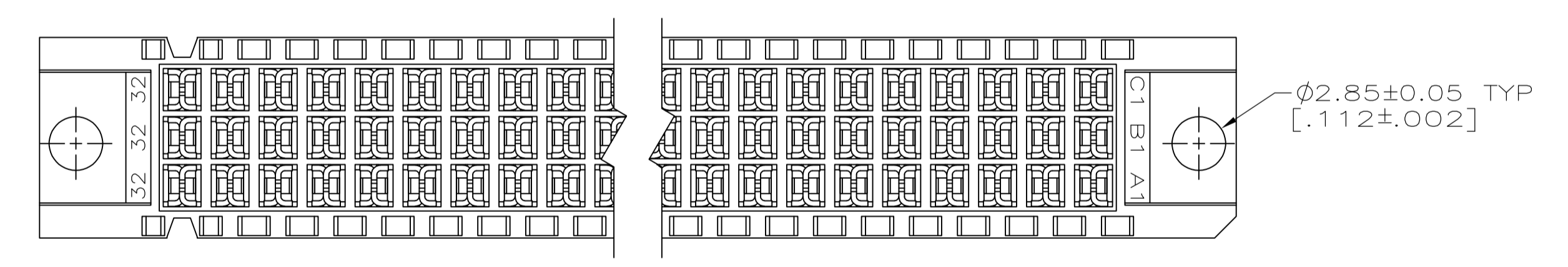
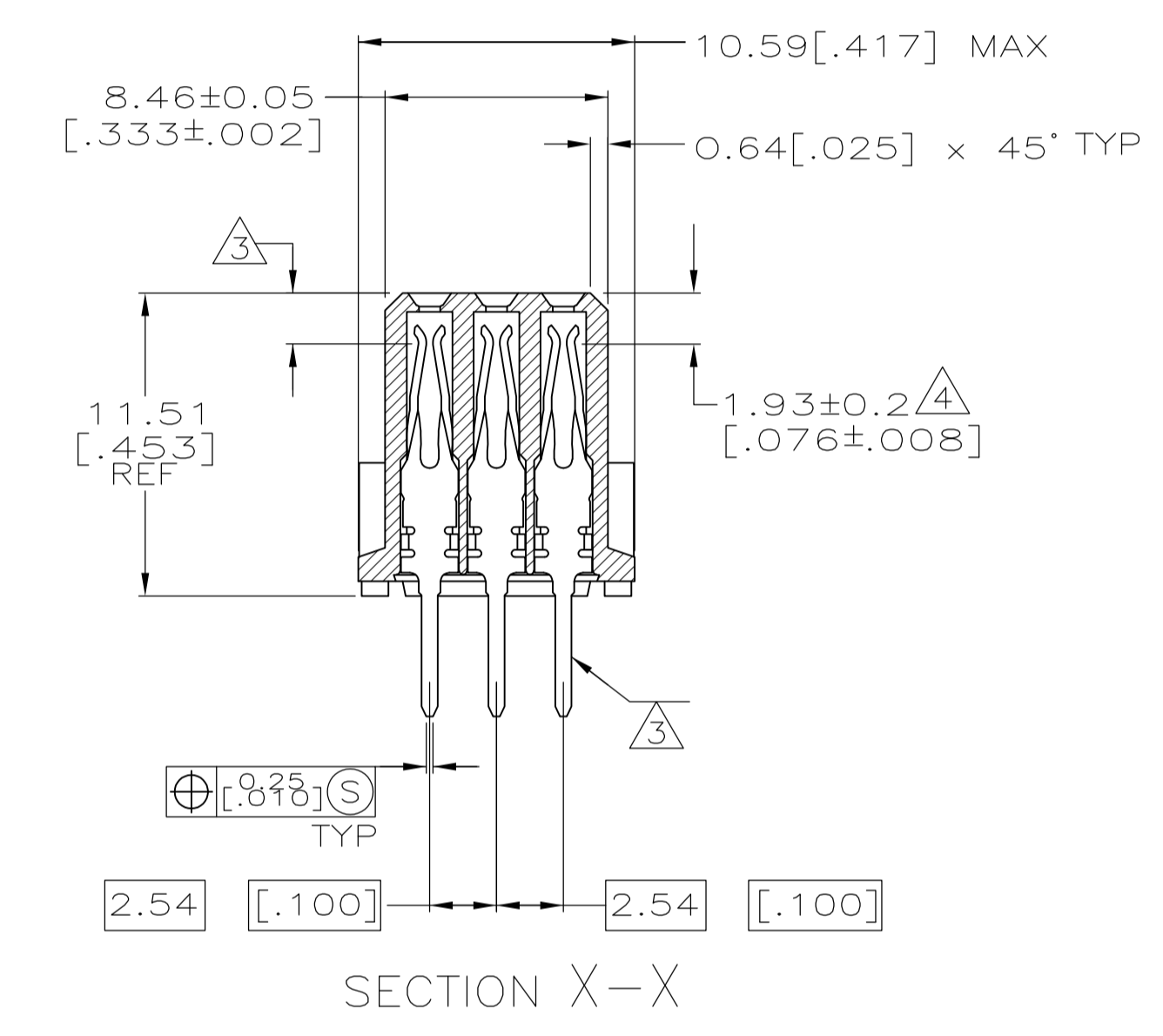
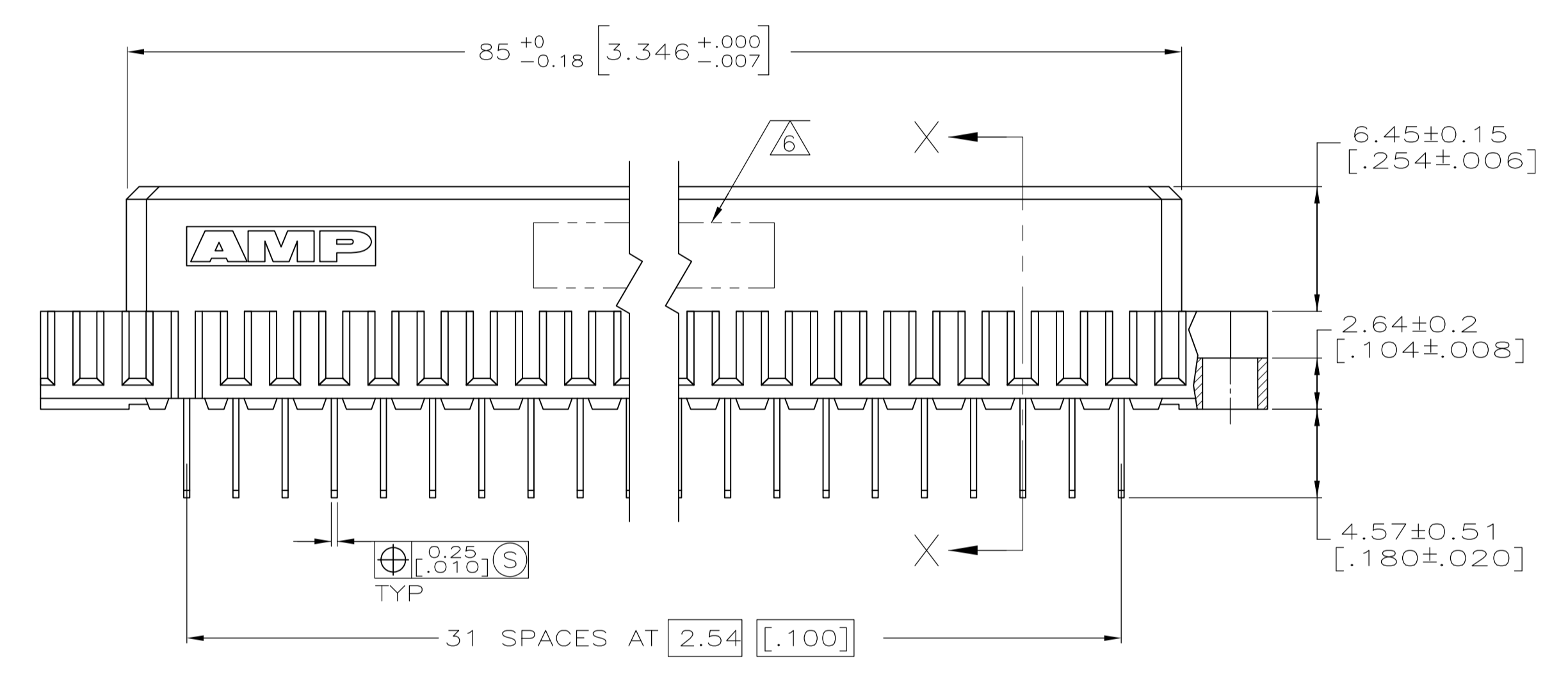
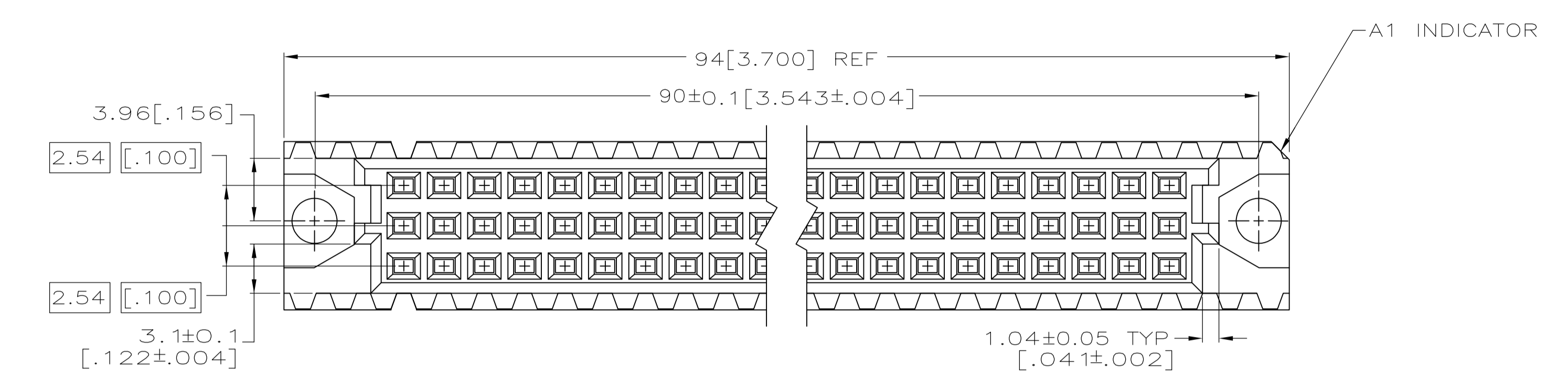


- ① HOUSING MATERIAL: GLASS-FILLED POLYMER.
- ② CONTACT MATERIAL: COPPER ALLOY.
- ③ CONTACT FINISH: DIN 41612 CLASS 2 IN CONTACT AREA. TIN PLATE ON POSTS.
- ④ CONTACT POINT.
- ⑤ RECOMMENDED HOLE SIZE FOR MANUAL APPLICATION OF CONNECTOR ONTO PC BOARD.
- ⑥ PART NUMBER, DATE CODE IDENTIFICATION, CSA LOGO IN THIS APPROXIMATE AREA, ON REVERSE SIDE.



③	1 THRU 32	X	X	X	96	5535043-5
③	1 THRU 32	X	X	X	96	5535043-4
NOTE	POSITIONS LOADED	C	B	A	NO. OF LOADED POSITION	ASSY PART NUMBER

THIS DRAWING IS A CONTROLLED DOCUMENT.		DIN J. POLIGNONE 27MAY05		APVD A. SHARPE 27MAY05		NAME ASSEMBLY, RECEPTACLE, EUROCARD, TYPE C, LEAD-FREE, 96 POSITION, 4.57[.180] SOLDER POSTS	
DIMENSIONS: mm [INCHES]		TOLERANCES UNLESS OTHERWISE SPECIFIED:		APPLICATION SPEC		SIZE CAGE CODE DRAWING NO. RESTRICTED TO	
0 PLC ± -		1 PLC ± -		2 PLC ± -		3 PLC ± 0.15[.005]	
4 PLC ± -		ANGLES ± -		WEIGHT -		A1 00779 C=5535043	
MATERIAL ① ②		FINISH ③		CUSTOMER DRAWING		SCALE 4:1 SHEET 1 OF 1 REV P	